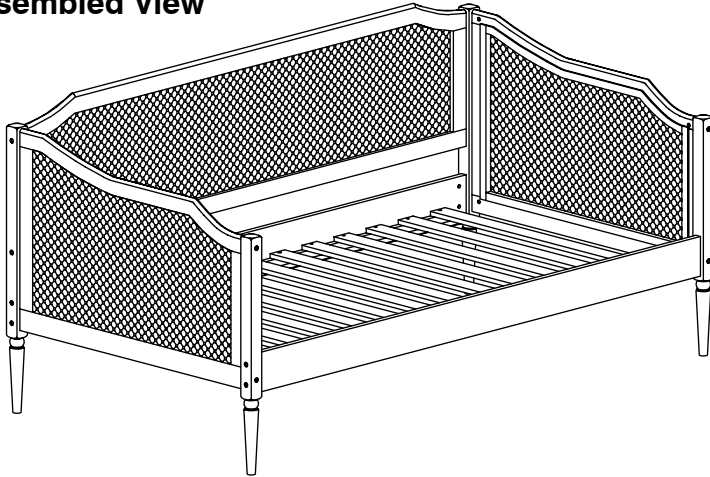


# 0075 Daybed

## Assembly Instructions

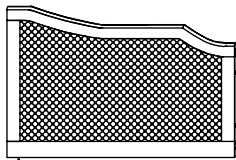
WI-1220

### 1 Assembled View

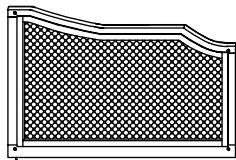


**Note:** Do not assemble using power tools. This can cause the bolts to be overtightened

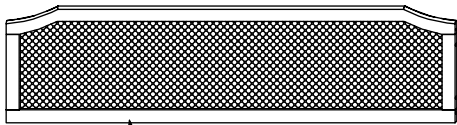
### 2 Parts in this Box



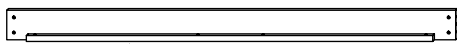
**A** Side Panel (Left Hand) x 1



**B** Side Panel (Right Hand) x 1

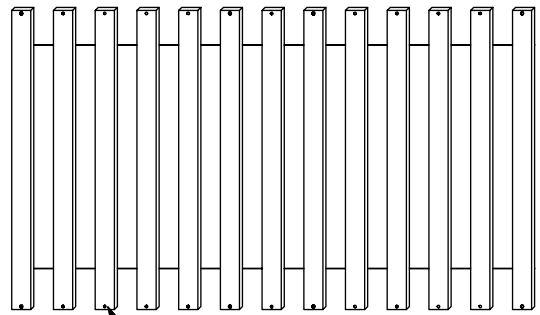


**C** Back Panel x 1



**D** Side Rail x 2

Slats are packed in separately in Box B



**J** Set of Slats x 1

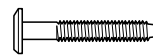
### 3 Hardware in this Box



**1** M6 x 90mm JCB x 20



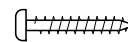
**4** Barrel Nut x 20



**2** M6 x 40mm JCB x 8



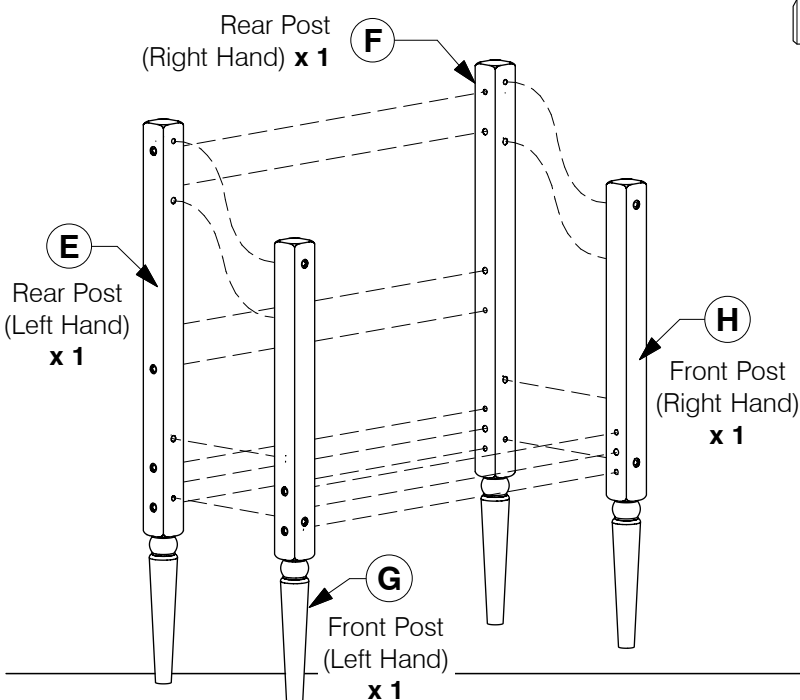
**5** Wood Dowel (10 x 40mm) x 16



**3** Wood Screw (M4 x 32mm) x 18



**6** Allen Key x 1

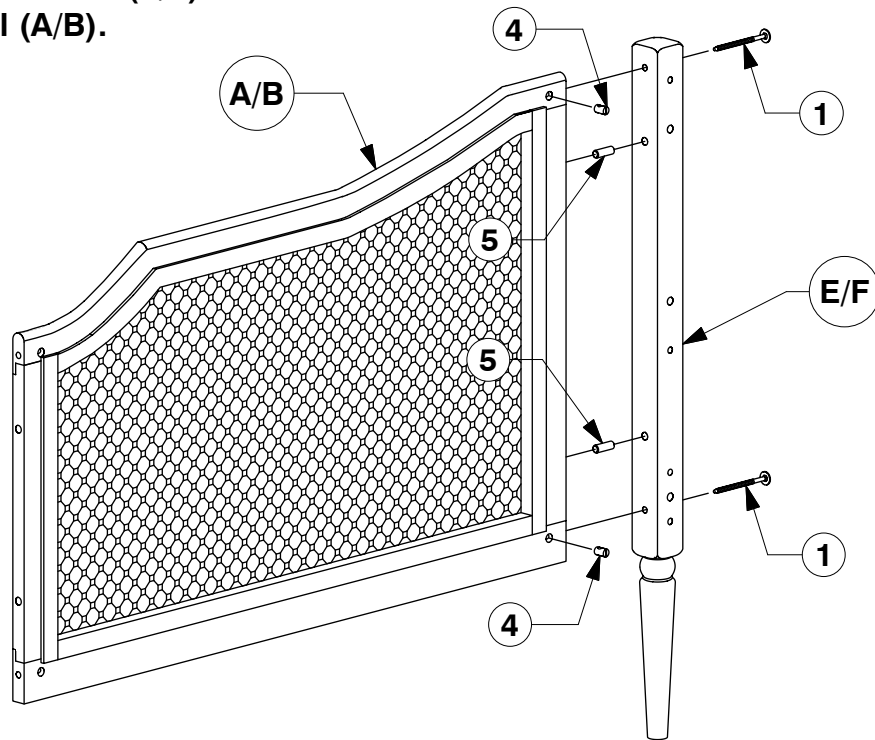


# 0075 Daybed

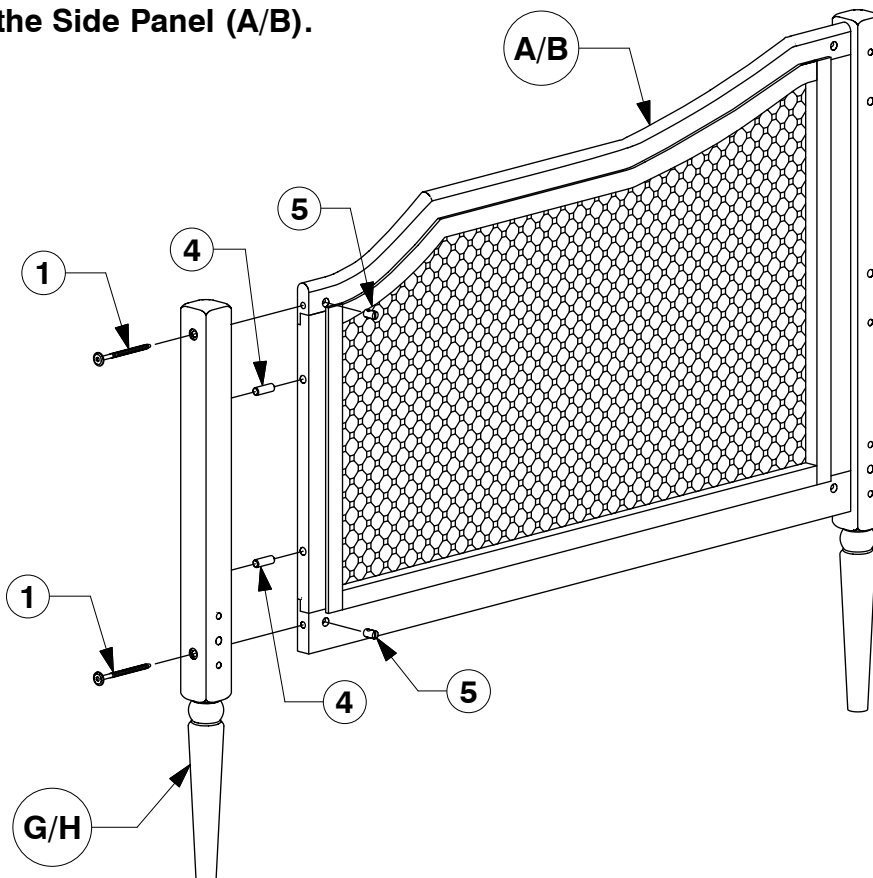
## Assembly Instructions

WI-1220

- 4** Assemble the Rear Post (E/F) to the Side Panel (A/B).



- 5** Assemble the Front Post (G/H) to the Side Panel (A/B).

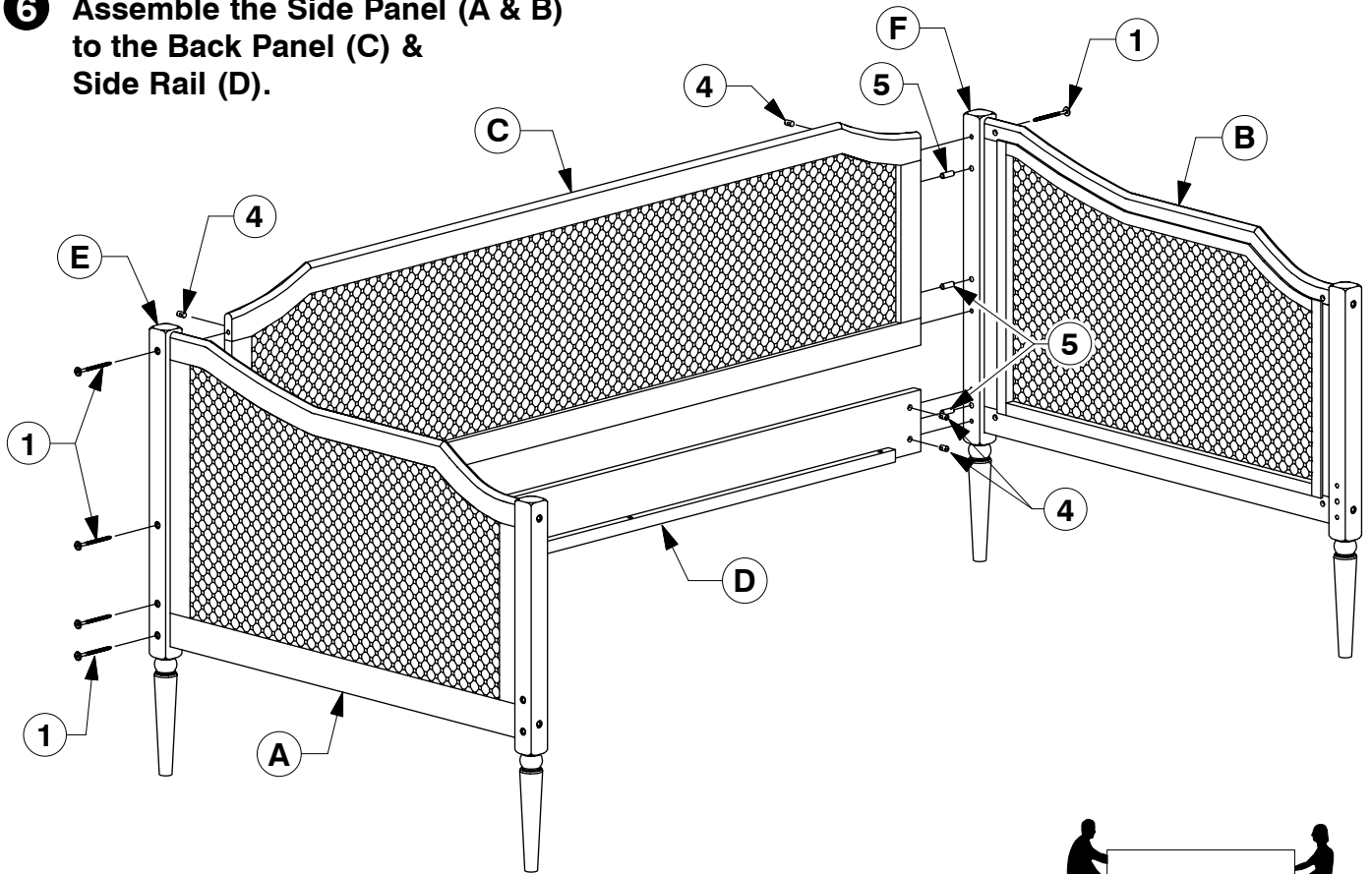


# 0075 Daybed

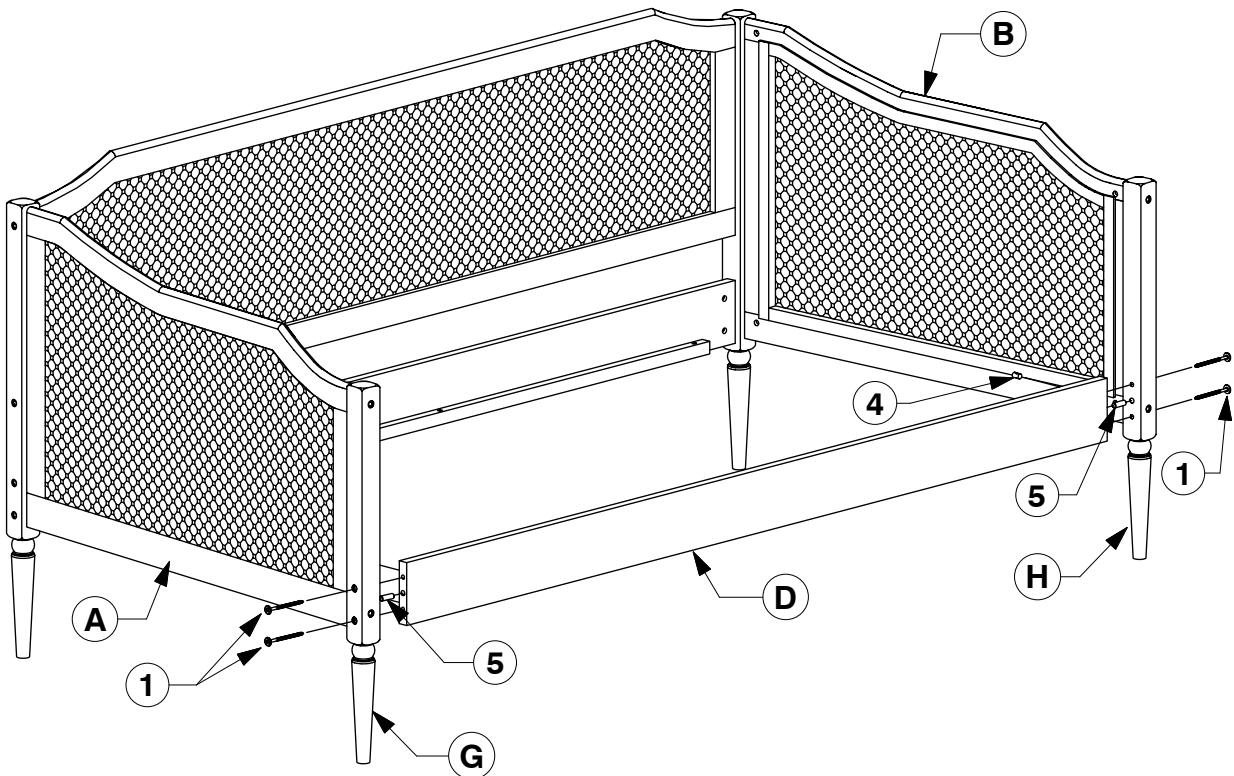
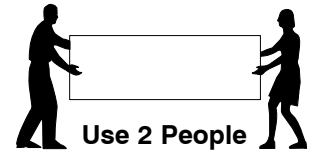
## Assembly Instructions

WI-1220

- 6** Assemble the Side Panel (A & B) to the Back Panel (C) & Side Rail (D).



- 7** Assemble the Side Rail (D) to the Front Post (G & H).

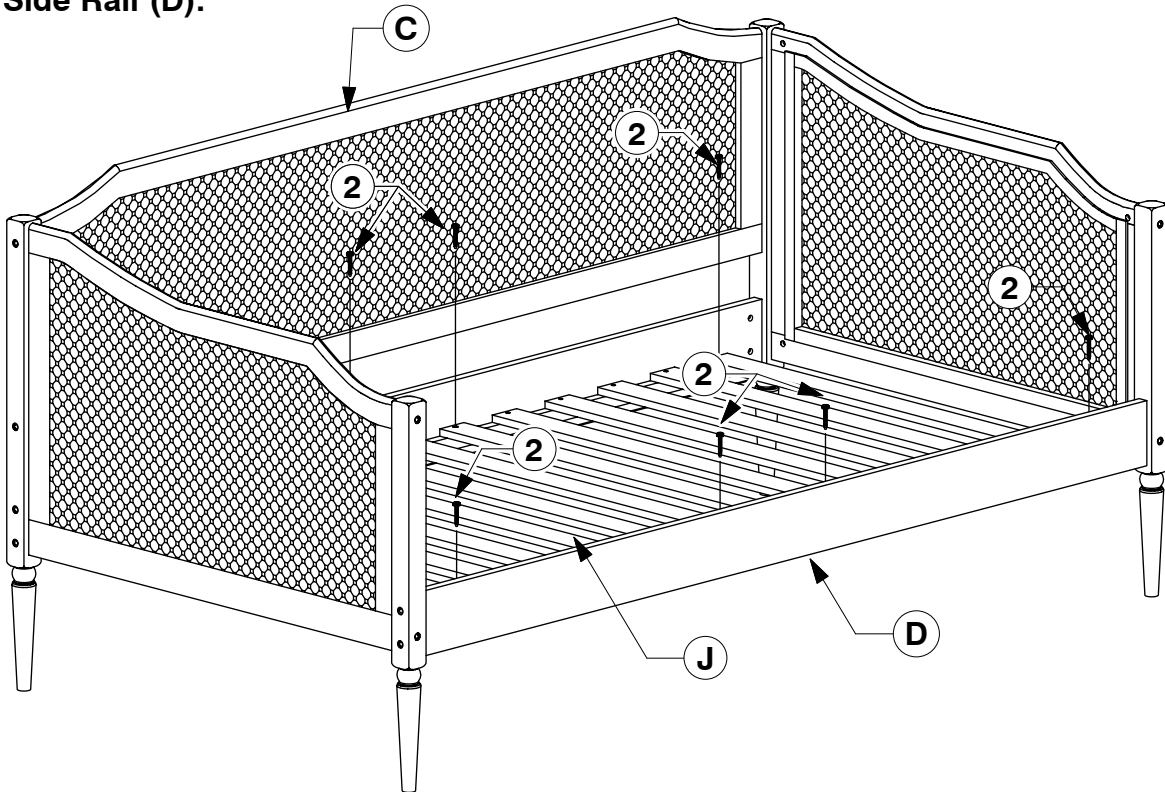


# 0075 Daybed

## Assembly Instructions

WI-1220

- 8** Bolt the Set of Slats (J) between the Side Rail (D).



- 9** Screw the Set of Slats (J) between the Side Rail (D).

